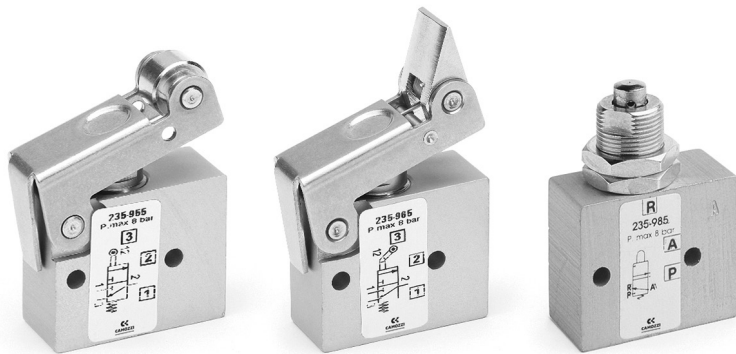


Series 2 mechanically operated minivalves

3/2-way
Ports M5, cartridge $\varnothing 4$

SERIES 2 MECHANICALLY OPERATED MINIVALVES



Series 2 mechanically operated miniature valves, 3/2-way normally closed, are available with M5 threaded ports or with an integrated super-rapid fitting for $\varnothing 4$ mm tubes. The devices are actuated by a plunger, roller/lever or a unidirectional lever.

GENERAL DATA

Construction	poppet type
Valve group	3-way/2-position
Materials	aluminium body, brass plunger, NBR seals
Mounting	by means of screws in the through-holes of the valve body
Ports	M5, $\varnothing 4$ mm cartridge
Room temperature	0°C ÷ 60°C
Fluid temperature	0°C ÷ 50°C
Operating pressure	2 bar ÷ 10 bar
Fluid	Filtered air, without lubrication. If lubricated air is used, it is recommended to use ISO VG32 oil. Once applied the lubrication should never be interrupted.

CODING EXAMPLE

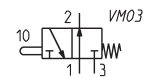
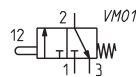
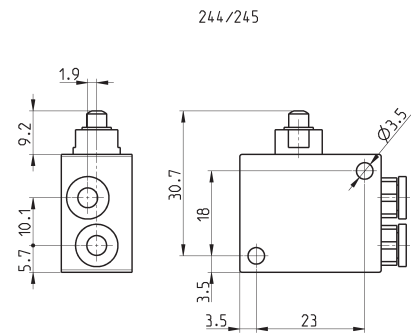
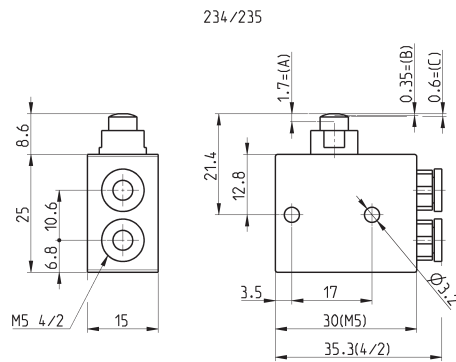
2	3	4	-	94	5
2	SERIES				
3	FUNCTION 3 = 3/2-way NC 4 = 3/2-way NO				
4	PORTS 4 = cartridge \varnothing 4mm 5 = M5				
94	ACTUATION 94 = plunger 95 = lever/roller 96 = unidirectional lever 98 = plunger, panel mounting				
5	RESETTING 5 = spring return				

SERIES 2 MECHANICALLY OPERATED MINIVALVES

Minivalves with plunger



DRAWING LEGEND
A = total stroke
B = pre-stroke
C = effective stroke

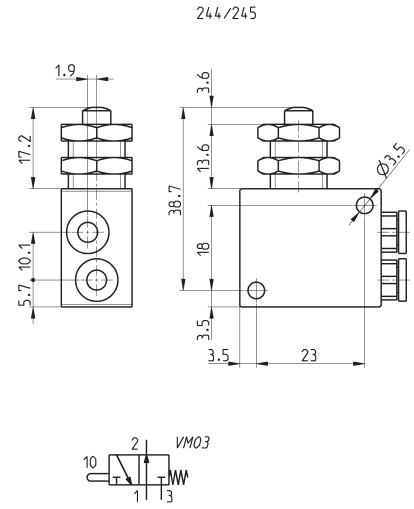
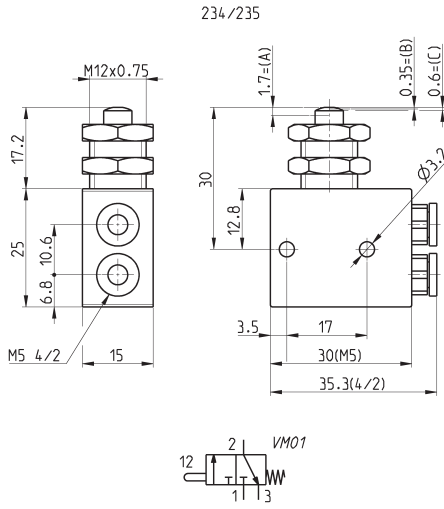


Mod.	Operating pressure (bar)	Flow Qn (NI/min)	Actuating force at 6 bar (N)	SYMBOL
234-945	2 ÷ 10	60	6	VM01
235-945	2 ÷ 10	60	6	VM01
244-945	2 ÷ 10	60	6	VM03
245-945	2 ÷ 10	60	6	VM03

Minivalves with plunger, panel mounting

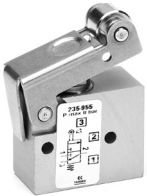


DRAWING LEGEND
A = total stroke
B = pre-stroke
C = effective stroke

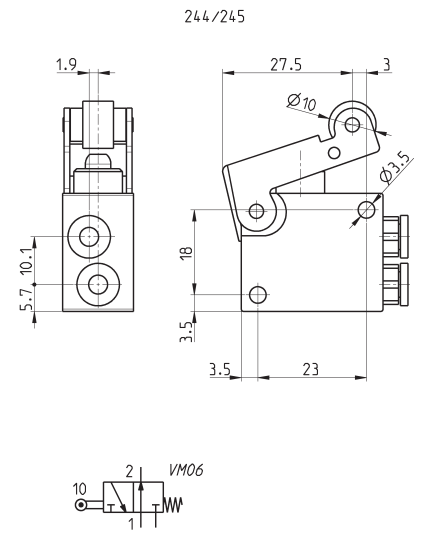
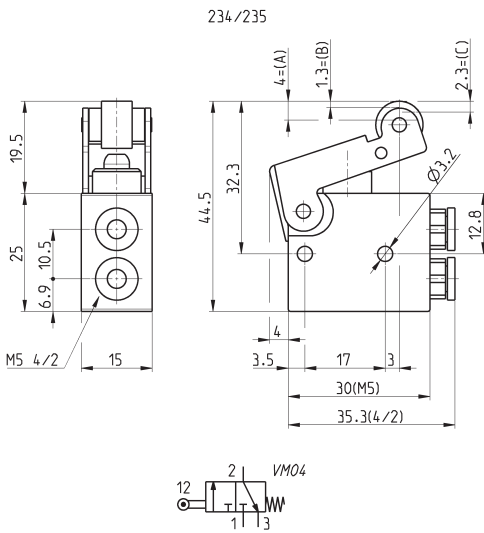


Mod.	Operating pressure (bar)	Flow Qn (NI/min)	Actuating force at 6 bar (N)	SYMBOL
234-985	2 ÷ 10	60	6	VM01
235-985	2 ÷ 10	60	6	VM01
244-985	2 ÷ 10	60	6	VM03
245-985	2 ÷ 10	60	6	VM03

Minivalves with lever/roller

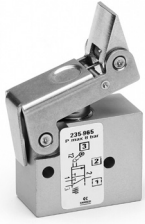


DRAWING LEGEND
A = total stroke
B = pre-stroke
C = effective stroke

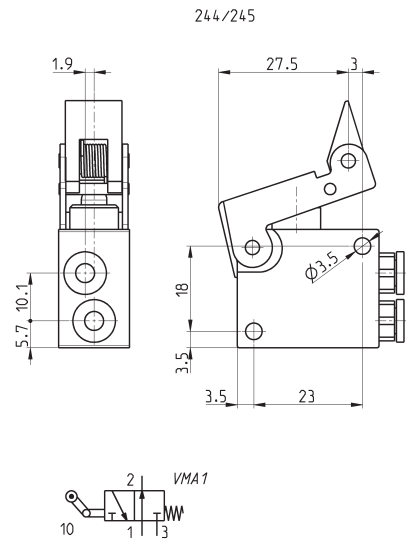
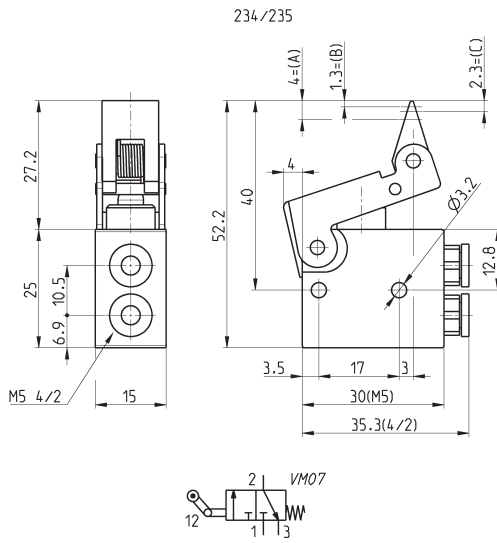


Mod.	Operating pressure (bar)	Flow Qn (NI/min)	Actuating force at 6 bar (N)	SYMBOL
234-955	2 ÷ 10	60	6	VM04
235-955	2 ÷ 10	60	6	VM04
244-955	2 ÷ 10	60	6	VM06
245-955	2 ÷ 10	60	6	VM06

Minivalves, unidirectional lever



DRAWING LEGEND
 A = total stroke
 B = pre-stroke
 C = effective stroke



Mod.	Operating pressure (bar)	Flow Qn (NI/min)	Actuating force at 6 bar (N)	SYMBOL
234-965	2 ÷ 10	60	6	VM07
235-965	2 ÷ 10	60	6	VM07
244-965	2 ÷ 10	60	6	VMA1
245-965	2 ÷ 10	60	6	VMA1